

Specification
of
Photovoltaic module

Type KC80

Feb.23.2005

Prepared by *P. Nakashima*

Checked by *M. Hirota*

Checked by *S. Minami*

Approved by *H. Hirayama*

Kyocera Corporation

Kyoto, Japan

Specification of photovoltaic module

1. Application

This specification is applicable for a photovoltaic module KC80.

2. Electrical specification

Maximum power	(Pmax)	:	80 W + 10% / - 5%
Test condition		:	Cell temperature 25°C Irradiance AM 1.5, 1 kW/m ²

3. Nominal characteristics

Maximum power		:	80 W
Short circuit current	(Isc)	:	4.97 A
Open circuit voltage	(Voc)	:	21.5 V
Maximum power current	(Ipmax)	:	4.73 A
Maximum power voltage	(Vpmax)	:	16.9 V
Maximum system voltage		:	750 V
Test condition		:	Cell temperature 25°C Irradiance AM 1.5, 1 kW/m ²

4. Physical specification

Drawing. No.	AC-562006-4
Dimension	976 × 652 × 56 mm
Mass	8.0 kg

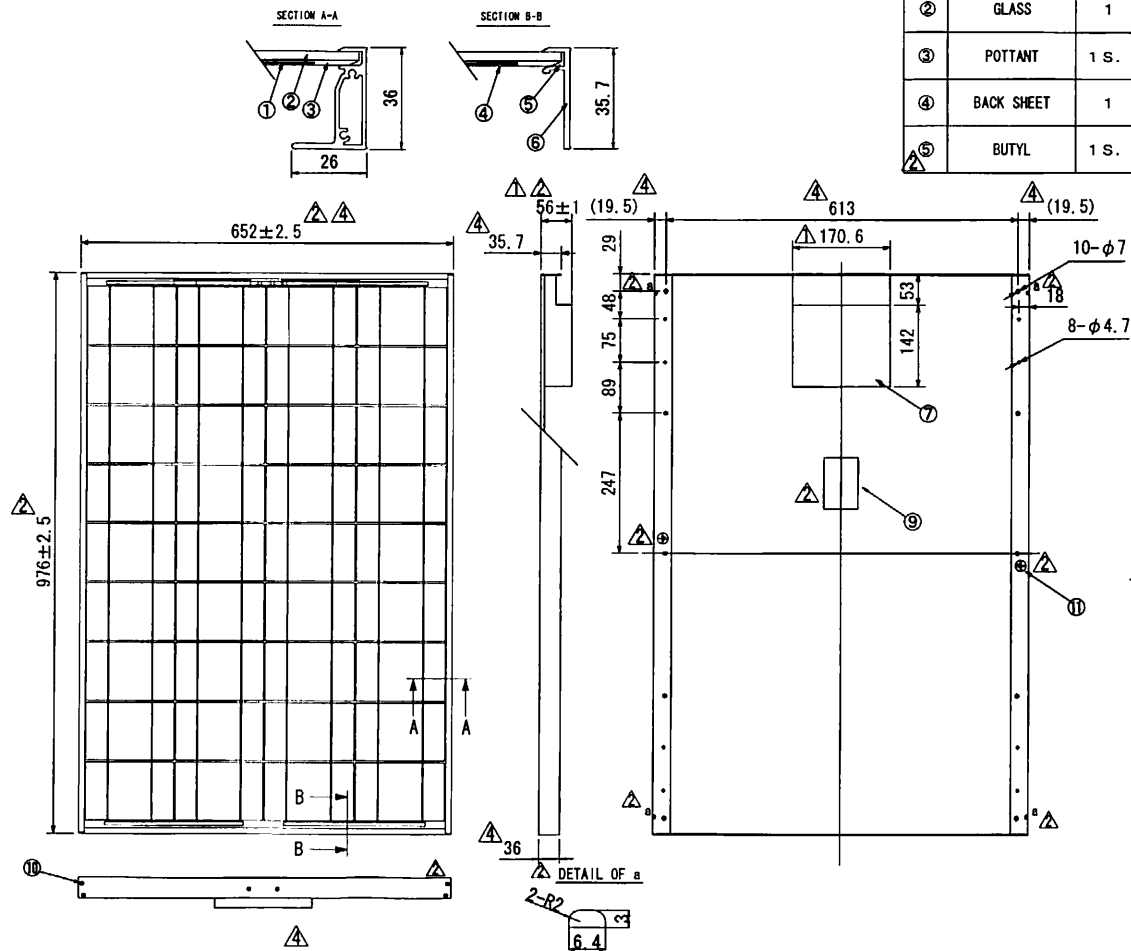
5. Attachment

Cable Clamp 2 pcs.

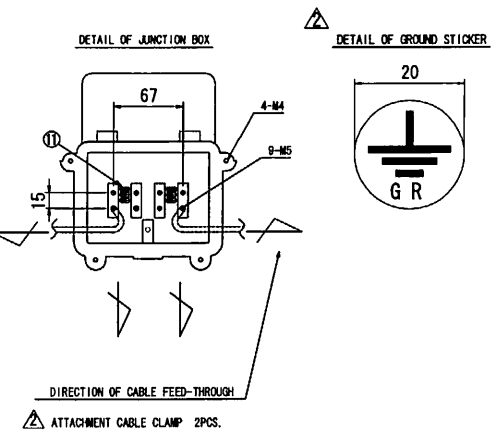
6. Remarks

- ① Do not get on the top of module to avoid unexpected damage on it.
- ② Do not keep the module under the hot/humid circumstances to avoid visual problem on module.

No.	DESCRIPTION	QT.	MTL.	REMARKS	No.	DESCRIPTION	QT.	MTL.	REMARKS
①	SOLAR CELL	36	Si	PSC150-2/3	⑥	FRAME	1 S.	Al	△ _
②	GLASS	1	△ _	LOW-IRON TEMPERED △	⑦	JUNCTION BOX	1 S.	PPE	USABLE CABLE 6-8mm
③	POTTANT	1 S.	EVA	△ _	⑧	BY-PASS DIODE	2 S.	△ _	△ _
④	BACK SHEET	1	△ PET	WEATHER-RESISTANT	⑨	LABEL	1	PET	△ _
⑤	BUTYL	1 S.	△ _	△ _	⑩	T. P. SCREW	10	SUS	△ _
					⑪	GROUND STICKER	2 S.	△ _	△ _



DIMENSION	TOLERANCE (±)
~ 6	0.3
6 ~ 30	0.5
30 ~ 120	0.8
120 ~ 315	1.2
315 ~ 1000	2.0
1000 ~	2.5



SCALE △ FREE	NAME △ PHOTOVOLTAIC MODULE
TOLERANCE REFER TO TOLERANCE LIST	
DATE JUN. 30, 1998	TYPE KC80
	DWG. NO. AC-562006-△

△ ERASE JAPANESE IN A DRAWING